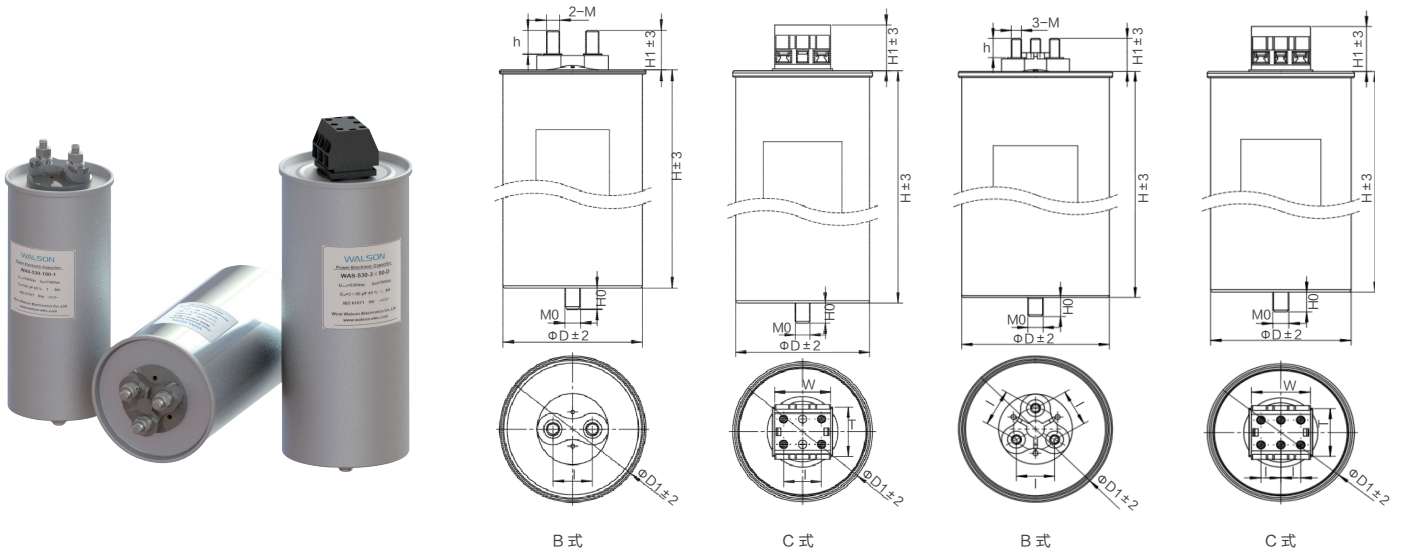


WAS 密封单相/三相交流滤波电容器
Sealed Single/Three Phase AC Filter Capacitor

■ 外形图 Outline Drawing



单位 Unit: mm

■ 单相外形尺寸 Single Phase Dimensions (mm)

D	D1	M0 × H0	A			B		
			M × h	H1	l	W × T	H1	l
76	81	M12 × 16	M6 × 15	27	30	45 × 44	36	30
76	81	M12 × 16	M8 × 17	29	30	45 × 44	36	30
86	91	M12 × 16	M8 × 17	29	30	45 × 44	36	30
86	91	M12 × 16	M10 × 18	30	30	45 × 44	36	30
96	101	M12 × 16	M8 × 17	29	30	45 × 44	36	30
96	101	M12 × 16	M10 × 18	30	30	45 × 44	36	30
106	111	M12 × 16	M8 × 17	29	30	45 × 44	36	30
106	111	M12 × 16	M10 × 18	30	30	45 × 44	36	30
116	121	M12 × 16	M8 × 17	29	30	45 × 44	36	30
116	121	M16 × 25	M10 × 18	30	30	45 × 44	36	30
126	131	M12 × 16	M8 × 17	29	30	45 × 44	36	30
126	131	M16 × 25	M10 × 18	30	30	45 × 44	36	30
136	141	M12 × 16	M10 × 18	30	30	45 × 44	36	30
136	141	M16 × 25	M10 × 18	30	30	45 × 44	36	30

■ 三相外形尺寸 Three Phase Dimensions (mm)

D	D1	M0×H0	A			B		
			M×h	H1	l	W×T	H1	l
76	81	M12×16	M6×15	27	30	45×44	36	15
76	81	M12×16	M8×17	29	30	45×44	36	15
86	91	M12×16	M8×17	29	30	45×44	36	15
86	91	M12×16	M10×18	30	30	45×44	36	15
96	101	M12×16	M8×17	29	30	45×44	36	15
96	101	M12×16	M10×18	30	30	45×44	36	15
106	111	M12×16	M8×17	29	35	45×44	36	15
106	111	M16×25	M10×18	30	35	45×44	36	15
116	121	M12×16	M8×17	29	35	45×44	36	15
116	121	M16×25	M10×18	30	35	45×44	36	15
126	131	M12×16	M8×17	29	35	45×44	36	15
126	131	M16×25	M10×18	30	35	45×44	36	15
136	141	M12×16	M10×18	29	35	45×44	36	15
136	141	M16×25	M10×18	30	35	45×44	36	15

■ 特点 Features

- 金属化耐高温聚丙烯膜，性能优异
- 圆柱形挤压铝外壳，密封性好
- 可选干式填充，抗振性能好，无渗漏
- 可选油式填充，重量轻，散热性能好
- 低损耗，高脉冲电流耐受能力
- 良好的自愈性和耐压性能
- 过压力断开功能，更安全可靠
- 防尘罩或防电击保护端子
- Metallized polypropylene film with high performance
- Cylindrical extruded aluminum case, tightly sealed
- Optional dry filled, good anti-vibration performance and no leakage
- Optional oil filled, less weight and better heat dissipation performance
- Low dissipation factor, high pulse current withstand capability
- Good self-healing and voltage withstand
- Overpressure disconnecter, more secure and reliable
- Dust cover, or shock hazard protected terminals

■ 主要用途 Typical Applications

- 适用于电力电子设备、UPS 电源中的交流滤波电路，能承受较高的谐波电流及峰值电流、电压
- Suitable for ac filter circuit in power electronic and UPS power supply, and can withstand high harmonic current, peak current and voltage

■ 技术要求 Specifications

参考标准 Standard referenced	GB/T 17702 (IEC61071) , 备选Optional GB/T 12747 (idt IEC 60831)
额定均方根电压 Rated RMS Voltage	250Vac ~ 1200Vac
连接形式 Connection Type	Single phase, or three phase with Δ Y or Yn connection type
气候等级 Climatic Category	40/85/56
额定频率 Rated Frequency	50 or 60 Hz
允许过电压 Overvoltage U_{max}	1.1 U_{rms} : 8 h/d, 1.15 U_{rms} : 30 min/d, 1.2 U_{rms} : 5 min/d, 1.3 U_{rms} : 1 min/d, 1.5 U_{rms} : 100 ms \times 1000 times
容量范围 Capacitance Range	10 μ F ~ 600 μ F
容量偏差 Capacitance Tolerance	\pm 5%、 \pm 10% or other
介质损耗角正切 Dielectric Dissipation Factor	0.0002
极间耐电压 Voltage Test Between Terminals	2.15 U_{rms} 或 1.5 U_N (50/60 Hz) , 10 s
极壳耐电压 Voltage test between terminals and case	4 000 Vac (50/60 Hz) , 10 s
绝缘电阻 Insulation resistance	\geq 10000s (20 $^{\circ}$ C , 500 V , 1 min)
可运行温度范围 Operating Temperature Range	-40 $^{\circ}$ C ~ 85 $^{\circ}$ C
贮存温度范围 Storage Temperature Range	-40 $^{\circ}$ C ~ 85 $^{\circ}$ C
最大海拔 Maximum Altitude	2 000 m: 电流不降额 (No derating for current) 2000 m to 4000 m: 电流每500 m 按3 %降额 (Decreasing factor 3 % per 500 m for current)
预期寿命 Expected Lifetime	干式Dry type: 100 000 h @ $\Delta C/C \leq 5\%$ 0.8 U_{rms} , $\theta_{hs} \leq 70$ $^{\circ}$ C 油式Oil type: 60 000 h @ $\Delta C/C \leq 5\%$ U_{rms} , $\theta_{hs} \leq 70$ $^{\circ}$ C
冷却方式 Cooling method	自然或强制冷却 Naturally or force cooled
安全性 Safety	自愈性和过压力断开 Self-healing property and overpressure disconnecter
电介质 Dielectric	聚丙烯薄膜 Polypropylene film
外壳 Case	挤压圆柱形铝壳 Extruded cylindrical aluminum can
端子 Terminals	螺栓 Bolt: 6N \cdot m for M8, 8N \cdot m for M10 (Dry type) ; 4N \cdot m for M8, 6N \cdot m for M10 (Oil type) 夹紧端子 Clamp terminals: 2N \cdot m for M5, 3N \cdot m for M6
填充方式 Impregnation	聚氨酯或油 Polyurethane or oil

■ 单相规格参数 Single Phase Specification Parameter

U _{rms} =250Vac U _n =350Vac U _s =800V										
C _N (μF)	D (mm)	H (mm)	R _s (mΩ)	L _s (nH)	R _{th} (K/W)	I _N	I _{max}	Î (kA)	Î _s (kA)	M (kg)
150	76	120	2.8	140	7.3	12	35	2.4	7.2	0.6
160	76	120	2.6	140	7.1	13	36	2.6	7.8	0.6
180	76	130	2.9	160	6.7	14	35	2.4	7.2	0.6
200	76	130	2.7	160	6.5	16	37	2.7	8.1	0.6
230	76	145	3.0	190	6.0	18	36	2.4	7.2	0.7
250	76	170	2.0	110	5.3	20	47	2.6	7.8	0.8
300	76	200	1.9	140	4.7	24	51	4.8	14.4	1.0
350	76	200	1.8	140	4.4	27	54	5.6	16.8	1.0
400	86	200	1.6	140	4.3	31	57	6.4	19.2	1.3
500	86	220	1.7	160	3.8	39	59	6.6	19.8	14.4
600	86	250	1.8	190	3.4	47	59	6.2	18.6	1.6
U _{rms} =330Vac U _n =460Vac U _s =1000V										
C _N (μF)	D (mm)	H (mm)	R _s (mΩ)	L _s (nH)	R _{th} (K/W)	I _N	I _{max}	Î (kA)	Î _s (kA)	M (kg)
100	76	120	3.1	140	7.4	10	31	1.6	4.8	0.6
120	76	120	2.8	140	6.9	12	34	1.9	5.7	0.6
140	76	145	3.7	190	6.3	15	31	1.4	4.2	0.7
150	76	145	3.5	190	6.1	16	32	1.6	4.8	0.7
160	76	145	3.4	190	6.0	17	33	1.7	5.1	0.7
180	76	170	1.7	110	5.2	19	49	1.9	5.7	0.8
200	76	200	2.0	140	4.8	21	47	3.2	9.6	1.0
230	76	200	2.0	140	5.8	24	49	3.7	11.1	1.0
250	86	200	1.9	140	6.8	26	51	4.0	12	1.0
300	86	200	1.7	140	7.8	31	54	4.8	14.4	1.3
350	86	220	1.7	160	8.8	36	55	4.6	13.8	1.4
400	86	250	2.0	190	9.8	41	54	4.1	12.3	1.6
U _{rms} =500Vac U _n =700Vac U _s =1500V										
C _N (μF)	D (mm)	H (mm)	R _s (mΩ)	L _s (nH)	R _{th} (K/W)	I _N	I _{max}	Î (kA)	Î _s (kA)	M (kg)
50	76	120	2.6	140	7.5	8	32	1.2	3.6	0.6
60	76	120	2.3	140	7.1	9	34	1.4	4.2	0.6
70	76	145	3.1	190	6.4	11	32	1.1	3.3	0.8
80	76	145	2.8	190	6.1	13	34	1.2	3.6	0.8
90	76	145	2.6	190	5.8	14	36	1.4	4.2	0.8
100	76	200	1.7	140	4.9	16	48	2.3	6.9	1.1
133	86	200	1.5	140	4.4	21	53	3.1	9.3	1.1
150	86	200	1.4	140	4.2	24	55	3.5	10.5	1.1
200	86	220	1.4	160	3.7	31	58	3.9	11.7	1.2
250	86	250	1.5	190	3.2	39	59	3.8	11.4	1.4

■ 单相规格参数 Single Phase Specification Parameter

$U_{rms}=540Vac$ $U_n=760Vac$ $U_s=1600V$										
C_N (μF)	D (mm)	H (mm)	R_s (m Ω)	L_s (nH)	R_{th} (K/W)	I_N	I_{max}	\hat{I} (kA)	\hat{I}_s (kA)	M (kg)
22	76	85	1.8	80	9.6	4	29	1.4	4.2	0.4
33	76	105	1.8	120	8.3	6	33	1.4	4.2	0.5
47	76	120	2.4	140	7.1	8	33	1.1	3.3	0.6
60	76	145	3.1	190	6.2	10	33	0.9	2.7	0.7
68	76	145	2.8	190	5.9	12	35	1.0	3	0.7
82	76	170	1.4	110	4.9	14	50	2.7	8.1	0.8
100	86	170	1.3	110	4.6	17	54	3.3	9.9	1.0
120	76	250	2.1	190	3.8	20	49	1.8	5.4	1.2
150	86	250	1.9	190	3.6	25	53	2.3	6.9	1.5
200	96	250	1.6	190	3.2	34	58	3.0	9	1.9
250	106	250	1.4	190	2.9	42	62	3.8	11.4	2.3
300	106	250	1.3	190	2.7	51	64	4.5	13.5	2.3
$U_{rms}=600Vac$ $U_n=850Vac$ $U_s=1800V$										
C_N (μF)	D (mm)	H (mm)	R_s (m Ω)	L_s (nH)	R_{th} (K/W)	I_N	I_{max}	\hat{I} (kA)	\hat{I}_s (kA)	M (kg)
22	76	105	2.6	120	8.2	4	28	0.8	2.4	0.5
33	76	120	2.7	140	7.1	6	31	0.8	2.4	0.6
47	76	170	2.1	120	5.3	9	41	1.7	5.1	0.8
50	76	170	2.1	120	5.2	9	42	1.8	5.4	0.8
60	86	170	1.9	110	4.8	11	45	2.2	6.6	1.0
68	86	170	1.4	110	4.7	13	51	2.4	7.2	1.0
82	86	200	1.7	140	4.1	15	52	2.1	6.3	1.2
100	76	250	2.2	190	3.5	19	51	1.6	4.8	1.2
120	86	250	1.9	190	3.4	23	54	2.0	6	1.5
150	96	250	1.7	190	3.1	28	57	2.4	7.2	1.9
180	106	250	1.6	190	2.8	34	62	2.9	8.7	2.3
200	116	250	1.4	190	2.8	38	64	3.3	9.9	2.8
$U_{rms}=690Vac$ $U_n=980Vac$ $U_s=2000V$										
C_N (μF)	D (mm)	H (mm)	R_s (m Ω)	L_s (nH)	R_{th} (K/W)	I_N	I_{max}	\hat{I} (kA)	\hat{I}_s (kA)	M (kg)
15	76	95	2.4	100	9.4	3	25	0.8	2.4	0.5
22	76	105	2.4	120	8.1	5	28	0.9	2.7	0.5
33	76	170	2.1	120	6	7	36	1.3	3.9	0.8
47	86	170	1.8	110	5.3	10	42	1.9	5.7	1.0
60	86	200	2.0	140	4.6	13	43	1.7	5.1	1.2
68	86	200	1.6	140	4.4	15	49	1.9	5.7	1.2
82	86	250	2.0	190	3.8	18	48	1.5	4.5	1.5
100	86	250	1.8	190	3.5	22	52	1.8	5.4	1.5
120	96	250	1.6	190	3.3	26	55	2.2	6.6	1.9
150	106	250	1.4	190	3.0	32	59	2.7	8.1	2.3
200	116	250	1.3	190	2.8	43	64	3.3	9.9	2.8

■ 单相规格参数 Single Phase Specification Parameter

$U_{rms}=850Vac$ $U_n=1200Vac$ $U_s=2550V$										
C_N (μF)	D (mm)	H (mm)	R_s (m Ω)	L_s (nH)	R_{th} (K/W)	I_N	I_{max}	\hat{I} (kA)	\hat{I}_s (kA)	M (kg)
10	76	95	2.7	100	8.8	3	22	0.6	1.8	0.5
15	76	105	2.7	120	7.6	4	26	0.7	2.1	0.5
22	76	145	4.4	190	6.3	6	25	0.5	1.5	0.7
33	76	170	1.9	110	4.9	9	40	1.5	4.5	0.8
47	86	200	2.1	140	4.2	13	43	1.7	5.1	1.2
68	86	250	2.0	190	3.4	18	49	1.4	4.2	1.5
82	96	250	1.8	190	3.2	22	52	1.7	5.1	1.9
100	96	250	1.6	190	2.9	27	56	2.1	6.3	1.9
150	116	250	1.6	190	2.6	40	62	2.9	8.7	2.8

注：表中所列尺寸为公司常用规格尺寸，其他规格尺寸可根据客户要求设计和生产。

Note: The listed dimension on the above chart is our common specifications, we can design and produce as customer's requests.

■ 三相规格参数 Three Phase Specification Parameter

U_{rms}=230Vac U_n=325Vac U_s=700V										
C _N (μF)	D (mm)	H (mm)	R _s (mΩ)	L _s (nH)	R _{th} (K/W)	I _N	I _{max}	I _h (kA)	I _s (kA)	M (kg)
3×84	76	200	3×1.5	100	4.5	11	3×34	1.6	4.8	1.1
3×105	76	230	3×1.6	120	4.0	13	3×36	1.5	4.5	1.2
3×160	86	230	3×1.2	120	3.5	20	3×43	2.3	6.9	1.6
3×250	116	200	3×0.8	110	3.1	31	3×53	3.0	9.0	2.4
3×330	116	230	3×0.9	130	2.7	41	3×54	4.8	14.4	2.5
U_{rms}=440Vac U_n=625Vac U_s=1300V										
C _N (μF)	D (mm)	H (mm)	R _s (mΩ)	L _s (nH)	R _{th} (K/W)	I _N	I _{max}	I _h (kA)	I _s (kA)	M (kg)
3×13	76	140	3×1.8	100	6.2	2	3×22	0.8	2.4	0.9
3×16.5	76	140	3×1.5	100	5.6	2	3×25	1.1	3.3	0.9
3×26.5	76	200	3×2.3	100	4.4	4	3×25	0.8	2.4	1.2
3×33	76	200	3×1.9	100	4.0	5	3×28	1.0	3.0	1.2
3×50	86	200	3×1.4	110	3.4	7	3×34	1.5	4.5	1.4
3×66	86	230	3×1.5	120	2.9	9	3×36	1.4	4.2	1.7
3×83	116	200	3×1.1	110	3.1	11	3×40	2.4	7.2	2.4
3×100	116	200	3×1.0	110	2.8	14	3×43	2.9	8.7	2.4
3×133	136	200	3×0.9	120	2.5	18	3×46	3.9	11.7	3.3
3×154	136	200	3×0.8	120	2.3	21	3×48	4.0	12.0	3.3
3×170	136	230	3×0.9	130	2.2	24	3×45	4.5	13.5	3.8
U_{rms}=540Vac U_n=760Vac U_s=1600V										
C _N (μF)	D (mm)	H (mm)	R _s (mΩ)	L _s (nH)	R _{th} (K/W)	I _N	I _{max}	I _h (kA)	I _s (kA)	M (kg)
3×19	76	170	3×1.0	110	5.1	3	3×32	1.0	3.0	1.0
3×23	76	170	3×1.0	110	5.0	4	3×33	1.2	3.6	1.2
3×39	86	200	3×0.9	110	4.0	7	3×39	1.4	4.2	1.7
3×48	86	230	3×1.0	120	3.6	8	3×40	1.3	3.9	1.9
3×96	116	230	3×0.8	130	3.0	16	3×45	2.3	6.9	2.8
U_{rms}=690Vac U_n=980Vac U_s=2000V										
C _N (μF)	D (mm)	H (mm)	R _s (mΩ)	L _s (nH)	R _{th} (K/W)	I _N	I _{max}	I _h (kA)	I _s (kA)	M (kg)
3×33.5	116	170	3×0.8	110	3.5	7	3×42	1.6	4.8	2.2
3×38	116	200	3×0.8	110	3.5	8	3×40	1.3	3.9	2.4
3×75	136	230	3×0.8	130	2.6	16	3×45	1.9	5.7	3.7

■ 三相规格参数 Three Phase Specification Parameter

$U_{rms}=850Vac$ $U_n=1200Vac$ $U_s=2550V$										
C_N (μF)	D (mm)	H (mm)	R_s ($m\Omega$)	L_s (nH)	R_{th} (K/W)	I_N	I_{max}	\hat{I} (kA)	\hat{I}_s (kA)	M (kg)
8	76	170	3×1.3	110	5.6	2	3×24	0.6	1.8	1.0
10	86	170	3×1.1	110	5.2	3	3×27	0.7	2.1	1.0
12	86	170	3×1.0	110	4.8	3	3×29	0.9	2.7	1.0
17	106	170	3×0.9	110	4.3	5	3×34	1.1	3.3	1.7
23	86	230	3×1.1	120	3.4	6	3×37	0.9	2.7	1.6
28	106	230	3×1.0	130	3.3	7	3×38	1.0	3.0	2.2
33	106	230	3×1.0	130	3.0	9	3×41	1.2	3.6	2.3
38	116	230	3×0.9	130	2.9	10	3×42	1.4	4.2	2.8
49	136	230	3×0.9	130	2.7	13	3×43	1.9	5.7	3.7
55.8	136	230	3×0.8	130	2.5	15	3×45	2.2	6.6	3.8

注：表中所列尺寸为公司常用规格尺寸，其他规格尺寸可根据客户要求设计和生产。

Note: The listed dimension on the above chart is our common specifications, we can design and produce as customer's requests.